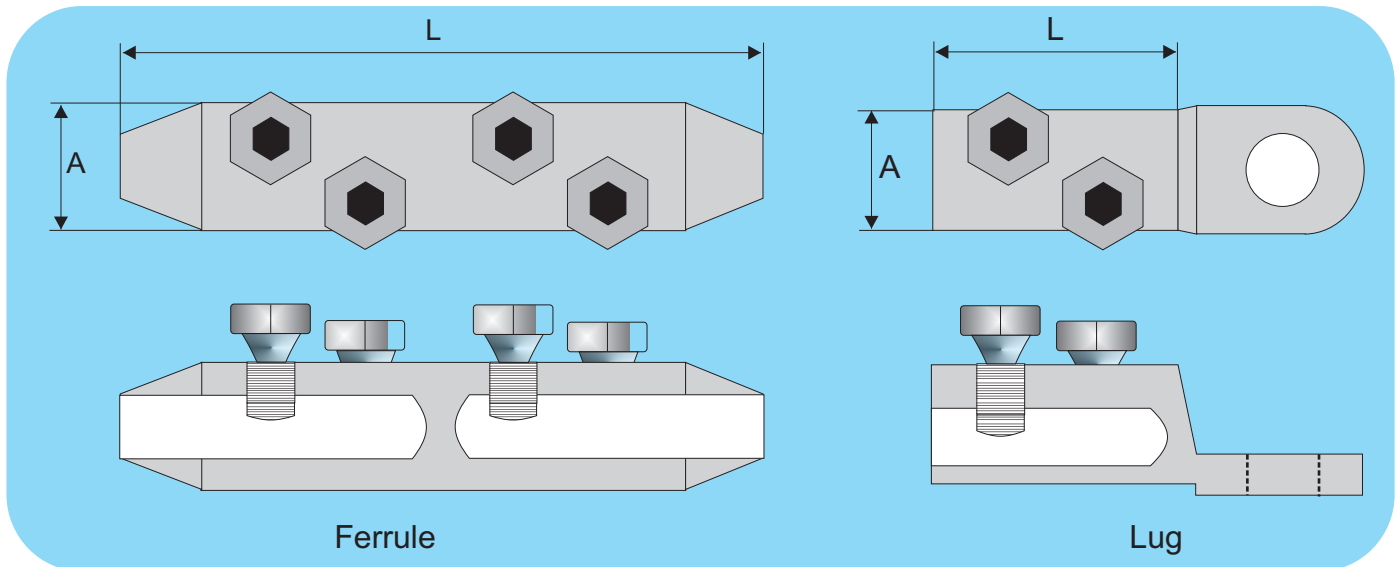


Torque Shear Connectors for use on both Round and Sectoral Conductors



JOINTMASTER now offers a comprehensive range of mechanical torque shear connectors for use on both round, compacted and sectoral copper or aluminium conductors. These connectors utilise an offset bolt configuration that results in maintaining a much shorter length than traditional mechanical connectors.

All of the connectors have been comprehensively tested to international requirements.

FERRULES

The connectors offered are solid centre, range taking and bi-metal compatible with multi level shear off bolts to ensure a smooth connector profile for MV cable jointing applications up to 36kV.

LUGS

The connectors offered are range taking, bi-metal compatible and solid with no peep hole thus eliminating the danger of moisture entering the cable through the lug peep hole.

Our part no FERRULES:	Size range Circular cond	Size range Sectoral cond	[O.D.] A (mm)	L (mm)
209 109	25 - 95mm ²	35 - 70mm ²	23	95
209 112	70 - 150mm ²	70 - 120mm ²	28	110
209 110	120 - 240mm ²	120 - 150mm ²	32	125
209 111	185 - 300mm ²	185 - 240mm ²	35	140
LUGS:				
298 139D	25 -95mm ²	35 - 70mm ²	25	44
298 140	70 - 150mm ²	70 - 120mm ²	30	56
298 039	120 - 300mm ²	120 - 240mm ²	33	66

Setting the Standards in Cable Jointing